

Approval body for construction products  
and types of construction

Bautechnisches Prüfamt

An institution established by the Federal and  
Laender Governments



## European Technical Assessment

**ETA-16/0276**  
**of 23 September 2016**

English translation prepared by DIBt - Original version in German language

### General Part

Technical Assessment Body issuing the  
European Technical Assessment:

Deutsches Institut für Bautechnik

Trade name of the construction product

SPIT TAPCON 6  
SPIT TAPCON XTREM 8, 10, 12, 14 mm

Product family  
to which the construction product belongs

Concrete screw of sizes 6, 8, 10, 12 and 14 mm for use in  
concrete

Manufacturer

SPIT  
Route de Lyon  
26500 BOURG-LÉS-VALENCE  
FRANKREICH

Manufacturing plant

Plant 1

This European Technical Assessment  
contains

16 pages including 3 annexes which form an integral part  
of this assessment

This European Technical Assessment is  
issued in accordance with Regulation (EU)  
No 305/2011, on the basis of

Guideline for European technical approval of "Metal  
anchor for use in concrete", ETAG 001 Part 3:  
"Undercut anchors", April 2013,  
used as European Assessment Document (EAD)  
according to Article 66 Paragraph 3 of Regulation (EU)  
No 305/2011 and European Assessment Document  
(EAD) 330011-00-0601.

The European Technical Assessment is issued by the Technical Assessment Body in its official language. Translations of this European Technical Assessment in other languages shall fully correspond to the original issued document and shall be identified as such.

Communication of this European Technical Assessment, including transmission by electronic means, shall be in full. However, partial reproduction may only be made with the written consent of the issuing Technical Assessment Body. Any partial reproduction shall be identified as such.

This European Technical Assessment may be withdrawn by the issuing Technical Assessment Body, in particular pursuant to information by the Commission in accordance with Article 25(3) of Regulation (EU) No 305/2011.

**Specific Part**

**1 Technical description of the product**

The concrete screw SPIT TAPCON respectively SPIT TAPCON XTREM is an anchor in size 6, 8, 10, 12 and 14 mm made of galvanised steel respectively steel with zinc flake coating, made of stainless or high corrosion resistant steel. The anchor is screwed into a predrilled cylindrical drill hole. The special thread of the anchor cuts an internal thread into the member while setting. The anchorage is characterised by mechanical interlock in the special thread.  
 Product and product description is given in Annex A.

**2 Specification of the intended use in accordance with the applicable European Assessment Document**

The performances given in Section 3 are only valid if the anchor is used in compliance with the specifications and conditions given in Annex B.  
 The verifications and assessment methods on which this European Technical Assessment is based lead to the assumption of a working life of the anchor of at least 50 years. The indications given on the working life cannot be interpreted as a guarantee given by the producer, but are to be regarded only as a means for choosing the right products in relation to the expected economically reasonable working life of the works.

**3 Performance of the product and references to the methods used for its assessment**

**3.1 Mechanical resistance and stability (BWR 1)**

Essential characteristic	Performance
Product performance for static and quasi static action	See Annex C 1 and C 2
Product performance for seismic category C1	See Annex C 4
Displacements under tension and shear loads	See Annex C 3

**3.2 Safety in case of fire (BWR 2)**

Essential characteristic	Performance
Reaction to fire	Anchorage satisfy requirements for Class A1
Resistance to fire	See Annex C 5

**3.3 Safety in use (BWR 4)**

The essential characteristics regarding Safety in use are included under the Basic Works Requirement Mechanical resistance and stability.

**4 Assessment and verification of constancy of performance (AVCP) system applied, with reference to its legal base**

In accordance with guideline for European technical approval ETAG 001, April 2013 used as European Assessment Document (EAD) according to Article 66 Paragraph 3 of Regulation (EU) No 305/2011, and European Assessment Document EAD 330011-00-0601 the applicable European legal act is: [96/582/EC].  
 The system to be applied is: 1

**5 Technical details necessary for the implementation of the AVCP system, as provided for in the applicable European Assessment Document**

Technical details necessary for the implementation of the AVCP system are laid down in the control plan deposited at Deutsches Institut für Bautechnik.

Issued in Berlin on 23 September 2016 by Deutsches Institut für Bautechnik

Andreas Kummerow  
p. p. Head of Department

*beglaubigt:*  
Tempel

**product and installed condition**

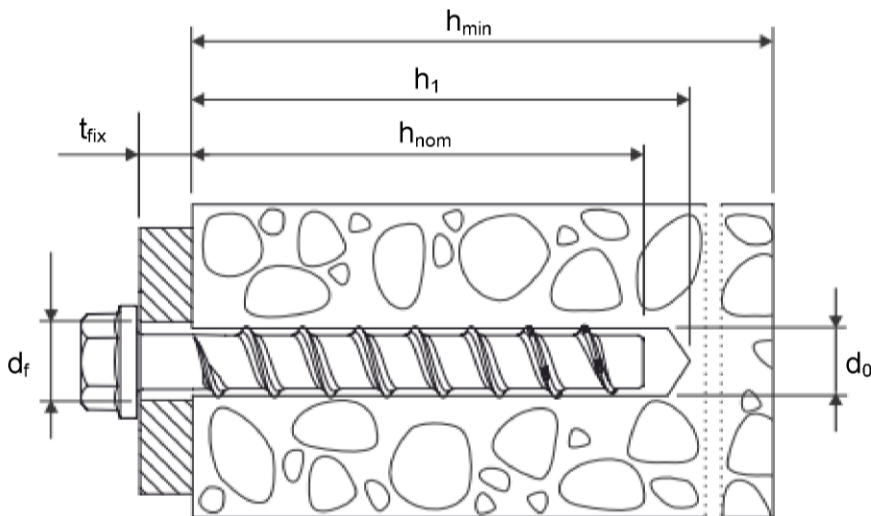
**SPIT TAPCON 6 / SPIT TAPCON XTREM 8, 10, 12, 14 mm**



**carbon steel**



**stainless steel A4 and HCR**



- $d_0$  = nominal drill bit diameter
- $h_{nom}$  = nominal anchorage depth
- $h_1$  = depth of the drill hole
- $h_{min}$  = minimum thickness of member
- $t_{fix}$  = thickness of fixture
- $d_f$  = diameter of clearance hole in the fixture

**Concrete screw SPIT TAPCON / SPIT TAPCON XTREM**

**Product description**

Installed condition

**Annex A 1**

**Table A1: materials and variants**

part	name	Material			
1, 2, 3, 4, 5	Concrete screw	TAPCON (XTREM)	Steel EN 10263-4 galvanized acc. to EN ISO 4042 or zinc flake coating acc. to EN ISO 10683 ( $\geq 5\mu\text{m}$ )		
		TAPCON (XTREM) A4	1.4401, 1.4404, 1.4571, 1.4578		
		TAPCON (XTREM) HCR	1.4529		
					TAPCON (XTREM) TAPCON (XTREM) A4 TAPCON (XTREM) HCR
			characteristic steel yield strength	$f_{yk}$ [N/mm <sup>2</sup> ]	560
			characteristic steel ultimate strength	$f_{uk}$ [N/mm <sup>2</sup> ]	700
			elongation at rupture	$A_5$ [%]	$\leq 8$



- 1) Anchor version with washer and hexagon head  
e.g. TAPCON XTREM HFL 10x90/35-5



- 2) Anchor version with countersunk head  
e.g. TAPCON XTREM CSK 8x80/35-15



- 3) Anchor version with pan head  
e.g. TAPCON PAN 6x40/5



- 4) Anchor version with large pan head  
e.g. TAPCON DOME 6x60/25-5



- 5) Anchor version with internal thread and hexagon drive  
e.g. TAPCON ROD 6x55/M8-M10

**Concrete screw SPIT TAPCON / SPIT TAPCON XTREM**

**Product descriptions**

Materials und versions

**Annex A 2**

**Table A2: dimensions and markings**

Anchor size TAPCON (XTREM)			6		8			10			
Nominal embedment depth $h_{nom}$ [mm]			$h_{nom1}$	$h_{nom2}$	$h_{nom1}$	$h_{nom2}$	$h_{nom3}$	$h_{nom1}$	$h_{nom2}$	$h_{nom3}$	
			40	55	45	55	65	55	75	85	
Length of the anchor	$L \leq$	[mm]	500								
Diameter of shaft	$d_k$	[mm]	5,1			7,1			9,1		
Diameter of thread	$d_s$	[mm]	7,5			10,6			12,6		
Anchor size TAPCON XTREM			12			14					
Nominal embedment depth $h_{nom}$ [mm]			$h_{nom1}$	$h_{nom2}$	$h_{nom3}$	$h_{nom1}$	$h_{nom2}$	$h_{nom3}$			
			65	85	100	75	100	115			
Length of the anchor	$L \leq$	[mm]	500								
Diameter of shaft	$d_k$	[mm]	11,1			13,1					
Diameter of thread	$d_s$	[mm]	14,6			16,6					



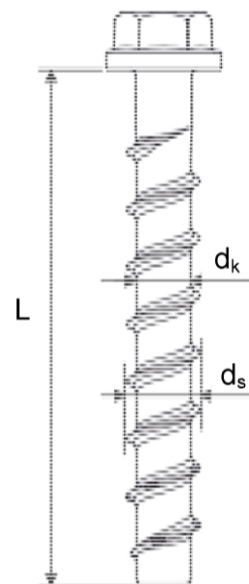
Marking:  
TAPCON  
Anchor type: TSM  
Anchor size: 10  
Length of the anchor: 100



TAPCON A4  
Anchor type: TSM  
Anchor size: 10  
Length of the anchor: 100  
Material: A4



TAPCON HCR  
Anchor type: TSM  
Anchor size: 10  
Length of the anchor: 100  
Material: HCR



**Concrete screw SPIT TAPCON / SPIT TAPCON XTREM**

**Product descriptions**

Dimensions and markings

**Annex A 3**

## Intended use

### Anchorage subject to:

- static and quasi-static loads, all sizes and all embedment depth,
- Used for anchorages with requirements related to resistance of fire, all sizes and all embedment depth,
- used for anchorages with seismic actions category C1, sizes 8-14 for maximum embedment depth  $h_{nom3}$ .

### Base materials:

- reinforced and unreinforced concrete according to EN 206-1:2000-12,
- strength classes C20/25 to C50/60 according to EN 206-1:2000-12,
- cracked and uncracked concrete.

### Use conditions (Environmental conditions):

- The anchor may only be used in dry internal conditions: All screw types,
- Structural subject to external atmospheric exposure (including industrial and marine environment) and to permanently damp internal condition no particular aggressive conditions exists: screw types made of stainless steel with marking A4,
- Structural subject to external atmospheric exposure (including industrial and marine environment) and to permanently damp internal condition if particular aggressive conditions exists: screw types made of stainless steel with marking HCR.

Note: Such particular aggressive conditions are e.g. permanent, alternating immersion in seawater or the splash zone of seawater, chloride atmosphere of indoor swimming pools or atmosphere with chemical pollution (e.g. in desulphurization plants or road tunnels where de-icing materials are used)

### Design:

- Anchorages are designed under the responsibility of an engineer experienced in anchorages and concrete work,
- Verifiable calculation notes and drawings are prepared taking account of the loads to be anchored. The position of the anchor is indicated on the design drawings (e.g. position of the anchor relative to reinforcement or to supports, etc.),
- Anchorages under static or quasi-static actions are designed for design Method A in accordance with:
  - ETAG 001, Annex C, Edition August 2010 or
  - CEN/TS 1992-4:2009.
- Anchorages under seismic actions are designed in accordance with:
  - EOTA Technical Report TR 045, Edition February 2013.
  - Anchorages shall be positioned outside of critical regions (e.g. plastic hinges) of the concrete structure.
  - Fastenings in stand-off installation or with a grout layer are not allowed.
- Anchorages under fire exposure are designed in accordance with:
  - EOTA Technical Report TR 020, Edition May 2004 or
  - CEN/TS 1992-4:2009, Annex D (It must be ensured that local spalling of the concrete cover does not occur).
- The design method according to ETAG 001, Annex C also applies for the specified diameter  $d_f$  of clearance hole in the fixture in Annex B2, Table B1.
- The design method according to CEN/TS 1992-4 applies for the specified diameter  $d_f$  of clearance hole in the fixture in Annex B2, Table B1.
- In CEN/TS 1992-4-1, section 5.2.3.1 the 3. indent will be replaced as follow: only the most unfavorable anchors of an anchor group take up shear loads, if diameter of the clearance hole  $d_f$  is larger than given in CEN/TS 1992-4-1, Table 1.
- The condition according to CEN/TS 1992-4-1, Section 5.2.3.3, no. 3) is also fulfilled for the specified diameter  $d_f$  of clearance hole in the fixture in Annex B2, Table B1.

### Installation:

- Hammer drilling only.
- Anchor installation carried out by appropriately qualified personal and under the supervision of the person responsible for technical matters of the site.
- In case of aborted hole: new drilling at a minimum distance away of twice the depth of aborted hole or smaller distance if the aborted hole is filled with high strength mortar and if under shear or oblique tension load it is not the direction of the load application.
- After installation further turning of the anchor is not possible. The head of the anchor is supported on the fixture and is not damaged.
- The drill hole may be filled with injection mortar SPIT EPOMAX or SPIT EPCON C8.
- Adjustability according to Annex B4: sizes 8-14, all anchorage depths.

**Concrete screw SPIT TAPCON / SPIT TAPCON XTREM**

**Intended use**

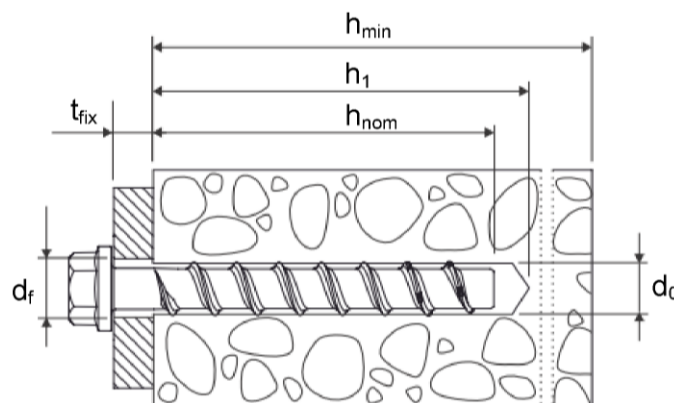
Specifications

**Annex B 1**



**Table B1: Installation parameters**

Anchor size TAPCON (XTREM)			6		8			10			
Nominal embedment depth $h_{nom}$ [mm]			$h_{nom1}$	$h_{nom2}$	$h_{nom1}$	$h_{nom2}$	$h_{nom3}$	$h_{nom1}$	$h_{nom2}$	$h_{nom3}$	
			40	55	45	55	65	55	75	85	
Nominal drill bit diameter	$d_0$	[mm]	6		8			10			
Cutting diameter of drill bit	$d_{cut} \leq$	[mm]	6,40		8,45			10,45			
Depth of drill hole	$h_1 \geq$	[mm]	45	60	55	65	75	65	85	95	
Diameter of clearing hole in the fixture	$d_f \leq$	[mm]	8		12			14			
Installation torque for version with connection thread	$T_{inst} \leq$	[Nm]	10		20			40			
Impact screw driver		[Nm]	Max. torque according to manufacturer's instructions								
			160		300			400			
Anchor size TAPCON XTREM			12			14					
Nominal embedment depth $h_{nom}$ [mm]			$h_{nom1}$	$h_{nom2}$	$h_{nom3}$	$h_{nom1}$	$h_{nom2}$	$h_{nom3}$			
			65	85	100	75	100	115			
Nominal drill bit diameter	$d_0$	[mm]	12			14					
Cutting diameter of drill bit	$d_{cut} \leq$	[mm]	12,50			14,50					
Depth of drill hole	$h_1 \geq$	[mm]	75	95	110	85	110	125			
Diameter of clearing hole in the fixture	$d_f \leq$	[mm]	16			18					
Installation torque for version with connection thread metrical	$T_{inst} \leq$	[Nm]	60			80					
Impact screw driver			Max. torque according to manufacturer's instructions								
			500			500					



**Concrete screw SPIT TAPCON / SPIT TAPCON XTREM**

**Intended use**

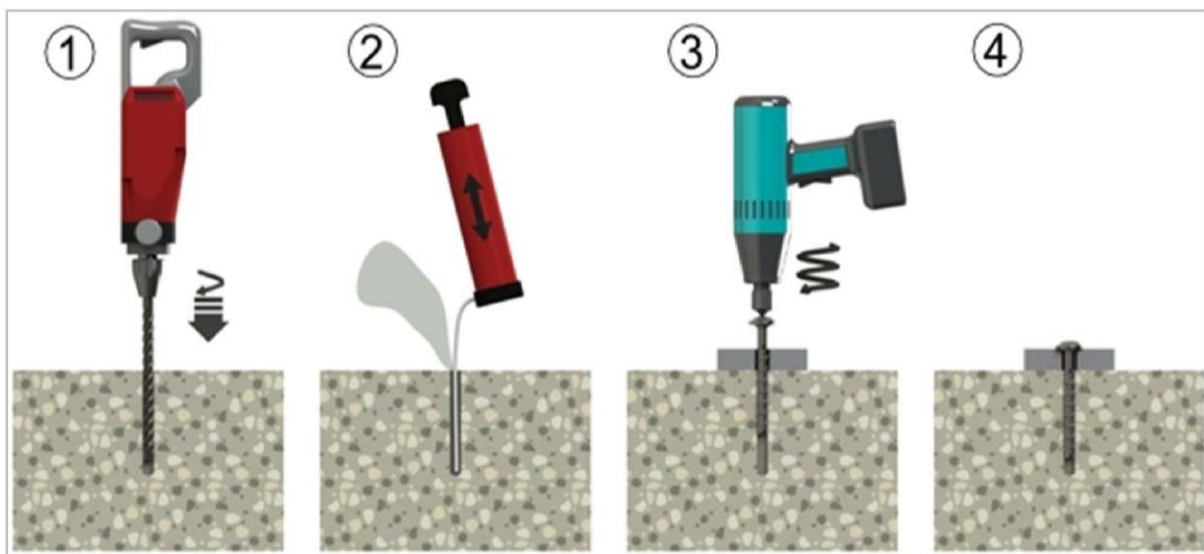
Installation parameters

**Annex B 2**

**Table B2: Minimum thickness of member, minimum edge distance and minimum spacing**

Anchor size TAPCON (XTREM)			6		8			10		
Nominal embedment depth $h_{nom}$ [mm]			$h_{nom1}$	$h_{nom2}$	$h_{nom1}$	$h_{nom2}$	$h_{nom3}$	$h_{nom1}$	$h_{nom2}$	$h_{nom3}$
			40	55	45	55	65	55	75	85
Minimum thickness of member	$h_{min}$	[mm]	100		100		120	100	130	130
Minimum edge distance	$c_{min}$	[mm]	40		40	50		50		
Minimum spacing	$s_{min}$	[mm]	40		40	50		50		
Anchor size TAPCON XTREM			12			14				
Nominal embedment depth $h_{nom}$ [mm]			$h_{nom1}$	$h_{nom2}$	$h_{nom3}$	$h_{nom1}$	$h_{nom2}$	$h_{nom3}$		
			65	85	100	75	100	115		
Minimum thickness of member	$h_{min}$	[mm]	120	130	150	130	150	170		
Minimum edge distance	$c_{min}$	[mm]	50		70	50	70			
Minimum spacing	$s_{min}$	[mm]	50		70	50	70			

**Installation instructions**



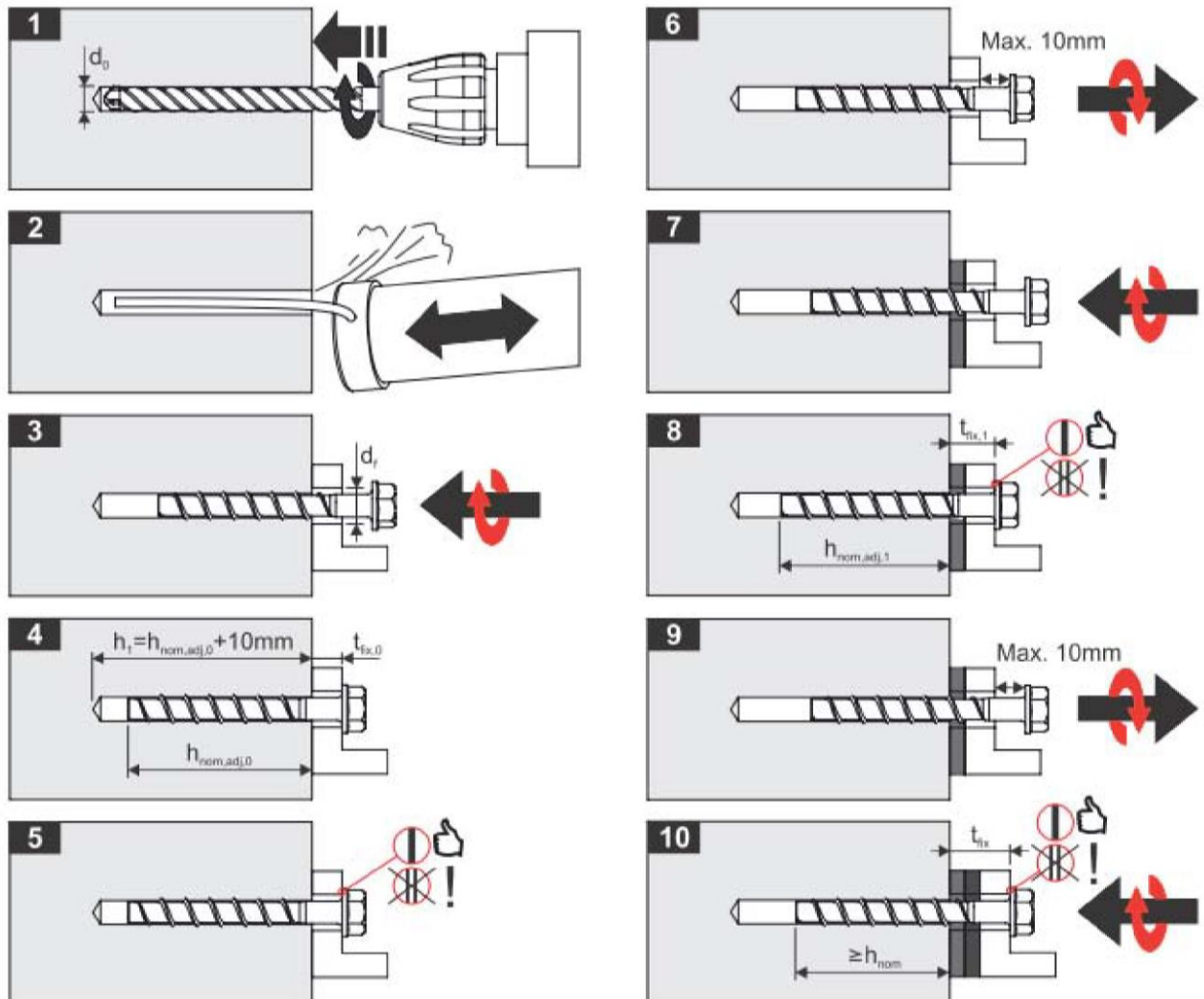
**Concrete screw SPIT TAPCON / SPIT TAPCON XTREM**

**Intended use**

Minimum thickness of member, minimum spacing, minimum edge distance and installation instructions

**Annex B 3**

### Installation instructions for adjustability



### Installation instructions

The anchor may be adjusted maximum two times while the anchor may turn back at most 10 mm.  
The total allowed thickness of shims added during the adjustment process is 10mm.  
The final embedment depth after adjustment process must be equal or larger than  $h_{nom}$ .

Concrete screw SPIT TAPCON / SPIT TAPCON XTREM

Intended use

Installation instruction for adjustability

Annex B 4

**Table C1: Characteristic values for design method A according to ETAG 001, Annex C or CEN/TS 1992-4 for TAPCON (XTREM) 6, 8 and 10**

Anchor size TAPCON (XTREM)			6		8			10		
Nominal embedment depth $h_{nom}$ [mm]			$h_{nom1}$	$h_{nom2}$	$h_{nom1}$	$h_{nom2}$	$h_{nom3}$	$h_{nom1}$	$h_{nom2}$	$h_{nom3}$
			40	55	45	55	65	55	75	85
<b>steel failure for tension- and shear load</b>										
characteristic load	$N_{RK,s}$	[kN]	14,0		27,0			45,0		
	$V_{RK,s}$	[kN]	7,0		17,0			34,0		
	$k_2^{1)}$	[-]	0,8		0,8			0,8		
	$M^0_{RK,s}$	[Nm]	10,9		26,0			56,0		
<b>pull-out failure</b>										
characteristic tension load in cracked concrete C20/25	$N_{RK,p}$	[kN]	2,0	4,0	5,0	9,0	12,0	9,0	Pull-out failure is not decisive	
characteristic tension load in uncracked concrete C20/25	$N_{RK,p}$	[kN]	4,0	9,0	7,5	12,0	16,0	12,0	20,0	25,0
increasing factor for $N_{RK,p}$	$\psi_C$	C30/37	1,22							
		C40/50	1,41							
		C50/60	1,55							
<b>concrete cone and splitting failure</b>										
effective anchorage depth	$h_{ef}$	[mm]	31	44	35	43	52	43	60	68
factor for	cracked	$k_{cr}^{1)}$	7,2							
	uncracked	$k_{ucr}^{1)}$	10,1							
concrete cone failure	spacing	$s_{cr,N}$	$3 \times h_{ef}$							
	edge distance	$c_{cr,N}$	$1,5 \times h_{ef}$							
splitting failure	spacing	$s_{cr,Sp}$	120	160	120	140	150	140	180	210
	edge distance	$c_{cr,Sp}$	60	80	60	70	75	70	90	105
installation safety factor	$\gamma_2^{2)}$	[-]	1,0							
	$\gamma_{inst}^{1)}$									
<b>concrete pry out failure (pry-out)</b>										
k-Factor	$k^{2)}$	[-]	1,0						2,0	
	$k_3^{1)}$									
<b>concrete edge failure</b>										
effective length of anchor	$l_f = h_{ef}$	[mm]	31	44	35	43	52	43	60	68
outside diameter of anchor	$d_{nom}$	[mm]	6		8			10		

<sup>1)</sup> Parameter relevant only for design according to CEN/TS 1992-4:2009

<sup>2)</sup> Parameter relevant only for design according to ETAG 001, Annex C

**Concrete screw SPIT TAPCON / SPIT TAPCON XTREM**

**Performances**

Characteristic values for TAPCON (XTREM) 6, 8 and 10

**Annex C 1**

**Table C2: Characteristic values for design method A according to ETAG 001, Annex C  
or CEN/TS 1992-4 for TAPCON XTREM 12 and 14**

Anchor size TAPCON XTREM			12			14			
Nominal embedment depth $h_{nom}$ [mm]			$h_{nom1}$	$h_{nom2}$	$h_{nom3}$	$h_{nom1}$	$h_{nom2}$	$h_{nom3}$	
			65	85	100	75	100	115	
<b>steel failure for tension- and shear load</b>									
characteristic load	$N_{RK,s}$	[kN]	67,0			94,0			
	$V_{RK,s}$	[kN]	40,0			56,0			
	$k_2^{1)}$	[-]	0,8			0,8			
	$M_{RK,s}^0$	[Nm]	113,0			185,0			
<b>pull-out failure</b>									
characteristic tension load in cracked concrete C20/25	$N_{RK,p}$	[kN]	12,0	Pull-out failure is not decisive			Pull-out failure is not decisive		
characteristic tension load in uncracked concrete C20/25	$N_{RK,p}$	[kN]	16,0						
increasing factor for $N_{RK,p}$	$\psi_C$	C30/37	1,22						
		C40/50	1,41						
		C50/60	1,55						
<b>concrete cone and splitting failure</b>									
effective anchorage depth	$h_{ef}$	[mm]	50	67	80	58	79	92	
factor for	cracked	$k_{cr}^{1)}$	7,2						
	uncracked	$k_{ucr}^{1)}$	10,1						
concrete cone failure	spacing	$s_{cr,N}$	$3 \times h_{ef}$						
	edge distance	$c_{cr,N}$	$1,5 \times h_{ef}$						
splitting failure	spacing	$s_{cr,Sp}$	150	210	240	180	240	280	
	edge distance	$c_{cr,Sp}$	75	105	120	90	120	140	
installation safety factor	$\gamma_2^{2)}$	[-]	1,0						
	$\gamma_{inst}^{1)}$								
<b>concrete pry out failure (pry-out)</b>									
k-Factor	$k^{2)}$	[-]	1,0	2,0	1,0	2,0			
	$k_3^{1)}$								
<b>concrete edge failure</b>									
effective length of anchor	$l_f = h_{ef}$	[mm]	50	67	80	58	79	92	
outside diameter of anchor	$d_{nom}$	[mm]	12			14			

<sup>1)</sup> Parameter relevant only for design according to CEN/TS 1992-4:2009

<sup>2)</sup> Parameter relevant only for design according to ETAG 001, Annex C

**Concrete screw SPIT TAPCON / SPIT TAPCON XTREM**

**Performances**

Characteristic values for TAPCON XTREM 12 and 14

**Annex C 2**

**Table C3: Displacements under tension load for TAPCON (XTREM)**

Anchor size TAPCON (XTREM)				6		8			10		
Nominal embedment depth $h_{nom}$ [mm]				$h_{nom1}$	$h_{nom2}$	$h_{nom1}$	$h_{nom2}$	$h_{nom3}$	$h_{nom1}$	$h_{nom2}$	$h_{nom3}$
				40	55	45	55	65	55	75	85
cracked concrete	tension load	N	[kN]	0,95	1,9	2,4	4,3	5,7	4,3	7,9	9,6
	displacement	$\delta_{N0}$	[mm]	0,3	0,6	0,6	0,7	0,8	0,6	0,5	0,9
		$\delta_{N\infty}$	[mm]	0,4	0,4	0,6	1,0	0,9	0,4	1,2	1,2
un-cracked concrete	tension load	N	[kN]	1,9	4,3	3,6	5,7	7,6	5,7	9,5	11,9
	displacement	$\delta_{N0}$	[mm]	0,4	0,6	0,7	0,9	0,5	0,7	1,1	1,0
		$\delta_{N\infty}$	[mm]	0,4	0,4	0,6	1,0	0,9	0,4	1,2	1,2
Anchor size TAPCON XTREM				12			14				
Nominal embedment depth $h_{nom}$ [mm]				$h_{nom1}$	$h_{nom2}$	$h_{nom3}$	$h_{nom1}$	$h_{nom2}$	$h_{nom3}$		
				65	85	100	75	100	115		
cracked concrete	tension load	N	[kN]	5,7	9,4	12,3	7,6	12,0	15,1		
	displacement	$\delta_{N0}$	[mm]	0,9	0,5	1,0	0,5	0,8	0,7		
		$\delta_{N\infty}$	[mm]	1,0	1,2	1,2	0,9	1,2	1,0		
un-cracked concrete	tension load	N	[kN]	7,6	13,2	17,2	10,6	16,9	21,2		
	displacement	$\delta_{N0}$	[mm]	1,0	1,1	1,2	0,9	1,2	0,8		
		$\delta_{N\infty}$	[mm]	1,0	1,2	1,2	0,9	1,2	1,0		

**Table C4 : Displacements under shear load for TAPCON (XTREM)**

Anchor size TAPCON (XTREM)				6		8			10		
Nominal embedment depth $h_{nom}$ [mm]				$h_{nom1}$	$h_{nom2}$	$h_{nom1}$	$h_{nom2}$	$h_{nom3}$	$h_{nom1}$	$h_{nom2}$	$h_{nom3}$
				40	55	45	55	65	55	75	85
shear load	V		[kN]	3,3		8,6			16,2		
displacement	$\delta_{V0}$		[mm]	1,55		2,7			2,7		
	$\delta_{V\infty}$		[mm]	3,10		4,1			4,3		
Anchor size TAPCON XTREM				12			14				
Nominal embedment depth $h_{nom}$ [mm]				$h_{nom1}$	$h_{nom2}$	$h_{nom3}$	$h_{nom1}$	$h_{nom2}$	$h_{nom3}$		
				65	85	100	75	100	115		
shear load	V		[kN]	20,0			30,5				
displacement	$\delta_{V0}$		[mm]	4,0			3,1				
	$\delta_{V\infty}$		[mm]	6,0			4,7				

**Concrete screw SPIT TAPCON / SPIT TAPCON XTREM**

**Performances**

Displacements under tension and shear loads

**Annex C 3**

**Table C5: Characteristic values for seismic category C1 for TAPCON XTREM**

Anchor size TAPCON XTREM			8	10	12	14
Nominal embedment depth $h_{nom}$ [mm]			$h_{nom3}$			
			65	85	100	115
<b>steel failure for tension- and shear load</b>						
characteristic load	$N_{Rk,s,seis}$	[kN]	27,0	45,0	67,0	94,0
	$V_{Rk,s,seis}$	[kN]	8,5	15,3	21,0	22,4
<b>pull-out failure</b>						
characteristic tension load in cracked concrete	$N_{Rk,p,seis}$	[kN]	12,0	Pull-out failure is not decisive		
<b>concrete cone failure</b>						
effective anchorage depth	$h_{ef}$	[mm]	52	68	80	92
concrete spacing	$s_{cr,N}$	[mm]	3 x $h_{ef}$			
cone failure edge distance	$c_{cr,N}$	[mm]	1,5 x $h_{ef}$			
installation safety factor	$\gamma_2$	[-]	1,0			
<b>concrete pry out failure (pry-out)</b>						
k-Factor	k	[-]	1,0	2,0		
<b>concrete edge failure</b>						
effective length of anchor	$l_f = h_{ef}$	[mm]	52	68	80	92
outside diameter of anchor	$d_{nom}$	[mm]	8	10	12	14

**Concrete screw SPIT TAPCON / SPIT TAPCON XTREM**

**Performances**

Characteristic values for seismic category C1

**Annex C 4**

**Table C6: Characteristic values of resistance to fire exposure for TAPCON (XTREM)**

Anchor size TAPCON (XTREM)				6		8			10			12			14		
Nominal embedment depth	$h_{nom}$			1	2	1	2	3	1	2	3	1	2	3	1	2	3
	[mm]			40	55	45	55	65	55	75	85	65	85	100	75	100	115
<b>steel failure for tension- and shear load (<math>F_{Rk,s,fi} = N_{Rk,s,fi} = V_{Rk,s,fi}</math>)</b>																	
Fire resistance class																	
R30	Characteristic Resistance	$F_{Rk,s,fi30}$	[kN]	0,9	2,4	4,4	7,4	10,3									
R60		$F_{Rk,s,fi60}$	[kN]	0,8	1,7	3,3	5,8	8,2									
R90		$F_{Rk,s,fi90}$	[kN]	0,6	1,1	2,3	4,2	5,9									
R120		$F_{Rk,s,fi120}$	[kN]	0,4	0,7	1,7	3,4	4,8									
R30		$M^0_{Rk,s,fi30}$	[Nm]	0,7	2,4	5,9	12,3	20,4									
R60		$M^0_{Rk,s,fi60}$	[Nm]	0,6	1,8	4,5	9,7	15,9									
R90		$M^0_{Rk,s,fi90}$	[Nm]	0,5	1,2	3,0	7,0	11,6									
R120		$M^0_{Rk,s,fi120}$	[Nm]	0,3	0,9	2,3	5,7	9,4									
<b>edge distance</b>																	
R30 bis R120	$c_{cr, fi}$		[mm]	2 x $h_{ef}$													
<b>spacing</b>																	
R30 bis R120	$s_{cr, fi}$		[mm]	4 x $h_{ef}$													

The characteristic resistance to fire exposure for pull-out failure, concrete cone failure, concrete pry-out failure and concrete edge failure shall be calculated according to TR 020 or CEN/TS 1992-4. If no value for  $N_{Rk,p}$  is given, in the equation 2.4 and 2.5, TR 020 or in equation D.1 and D.2, CEN/TS 1992-4 the value of  $N^0_{Rk,c}$  shall be inserted instead of  $N_{Rk,p}$ .

**Concrete screw SPIT TAPCON / SPIT TAPCON XTREM**

**Performances**

Characteristic values of resistance to fire exposure

**Annex C 5**