

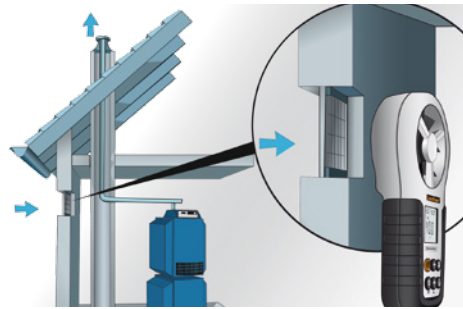
Laserliner®

AirflowTest-Master



Professional anemometer for measuring volumetric flow and wind speed

Rev.0115



Illuminated display



Large impeller: 65 mm

- Integrated sensor for **measuring ambient temperature, relative humidity and dew point calculation**
- **USB interface** and PC software for real-time logging
- **Large impeller:** 65 mm
- **Min/Max display**
- **Hold function:** the current measured value is held in the display
- **1/4" tripod connection** for long-term measurement
- Measurement in **°C or °F**
- **Illuminated, clearly arranged display** with permanently visible ambient temperature and relative humidity

TECHNICAL DATA

MEASURING RANGE / ACCURACY:

FLOW RATE:
0,80 m/s ... 30 m/s / ± 2%
AMBIENT TEMPERATURE:
-10°C ... 60 °C / ± 1,5 °C
RELATIVE HUMIDITY:
20% ... 80% / ± 3%

MEASURING RANGE

Air flow: 0 ... 99990 CMM

DIMENSIONS (W x H x D)
85 x 165 x 38 mm

POWER SUPPLY
1 x 9V 6F22

WEIGHT 200 g



AirflowTest-Master

including carrying case
+ software
+ USB Cable
+ battery

Packaging dimension (W x H x D)
155 x 265 x 81 mm

ARTICLE	ARTICLE NO	EAN-CODE	PU
AirflowTest-Master	082.140A	4 021563 680566	2

