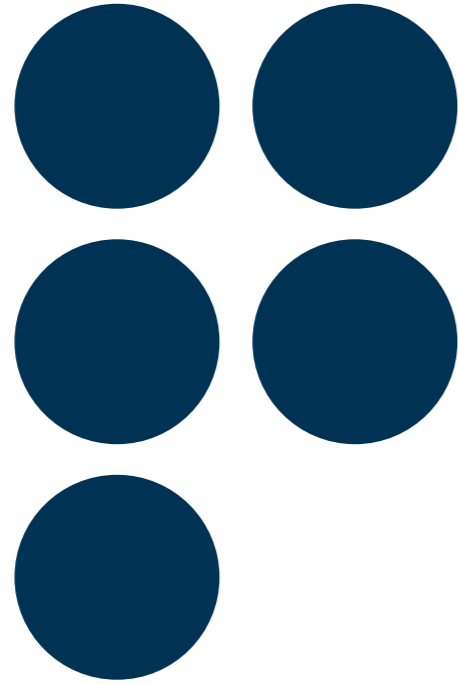


The Green Book

POSIROL PRODUCTS ALL IN ONE



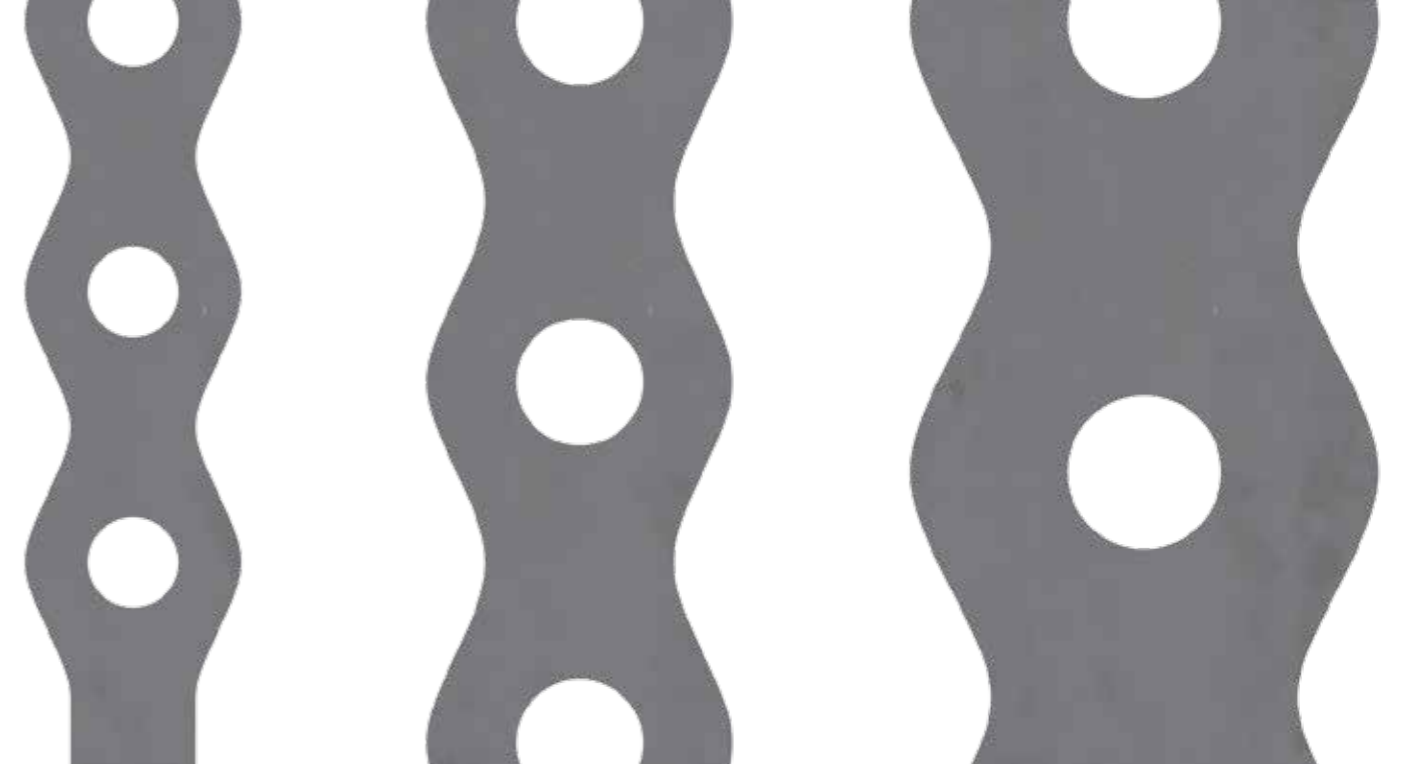
Posirol Oy

A WIDE RANGE OF PRODUCTS AND PLENTY OF PACKING OPTIONS

Posirol Oy was established in 2011, and it is located in Rauma, the fourth oldest city in Finland, on the eastern shore of the Bothnian Sea.

The perforated bands & steel straps are manufactured under the Posirol brand and also under the customers' own brands. Posirol's machinery consists mainly of eccentric press lines, robots and assembly and packaging automation.

We offer you CE-marked products. VTT Expert Service Oy is responsible for the certification of the internal quality control of Posirol Oy. VTT Expert Service Oy is a member of EOTA (European Organisation for Technical Approvals), and it is also an assessment body approved by the Finnish Ministry of the Environment.



Why?

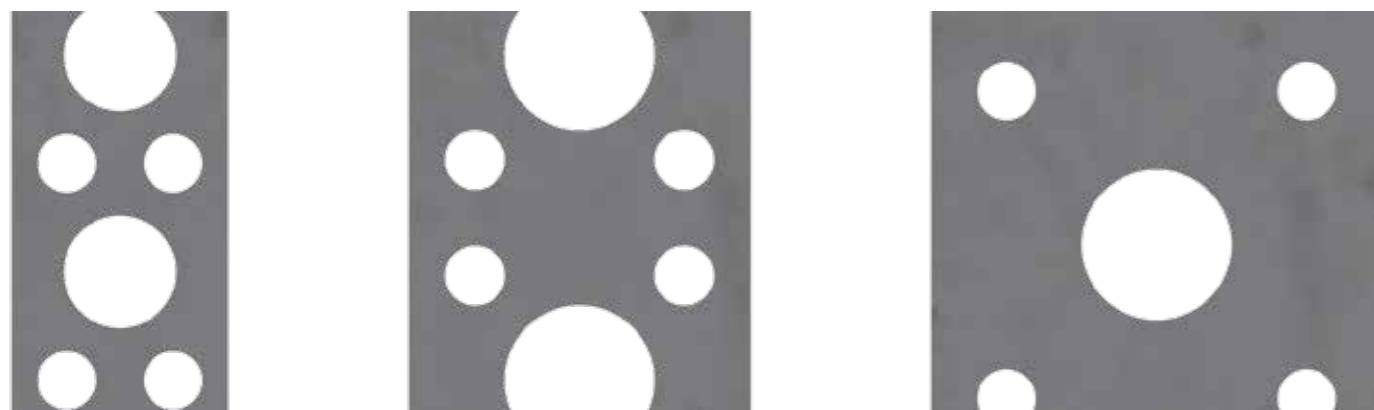
Posirol is the European manufacturer, and working with us is easy. "You won't get a headache with Posirol!" as many of our customers say. We ask, listen and learn.

As we have developed our concept, we have had numerous discussions with HPAC installers, electricians, designers, wholesalers, traders and logistics professionals. Every stone has been turned to ensure that the service and product features, together with the unique packaging, meet customer expectations.

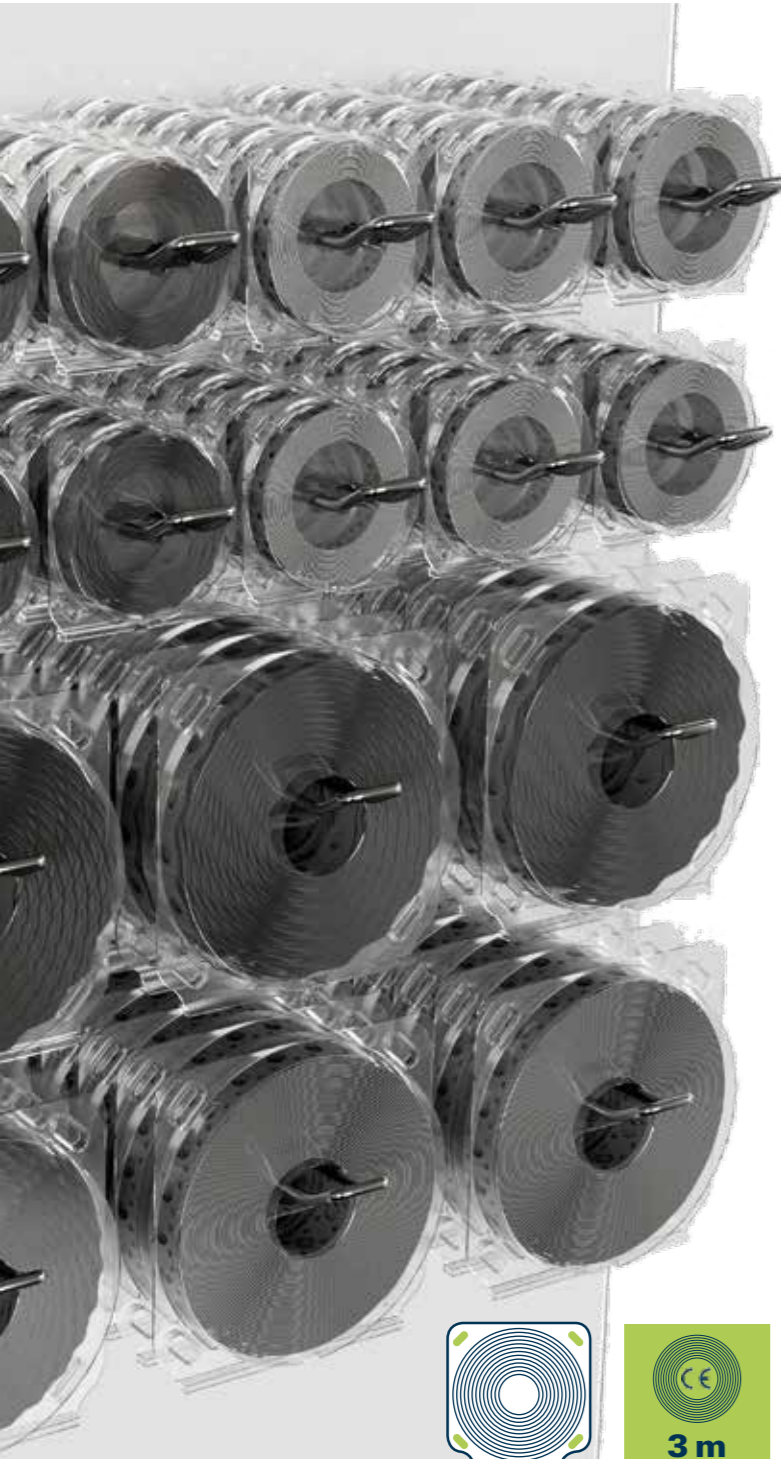
We understand the entire chain, from raw material to the installation of the product. Our level of delivery security is very high, and the service is always tailored to suit each customer's wishes and needs. We are flexible and adaptable. Who else would understand your needs better?

How?

Our products are manufactured in Finland, on the most modern production lines in the world. Perforated bands & steel straps are at the core of our production, and we are developing it continuously. We also use automation in quality control in a way that others do not. For these reasons, we have been given the title of "the European manufacturer", and we always want to act according to this title.



Packaging

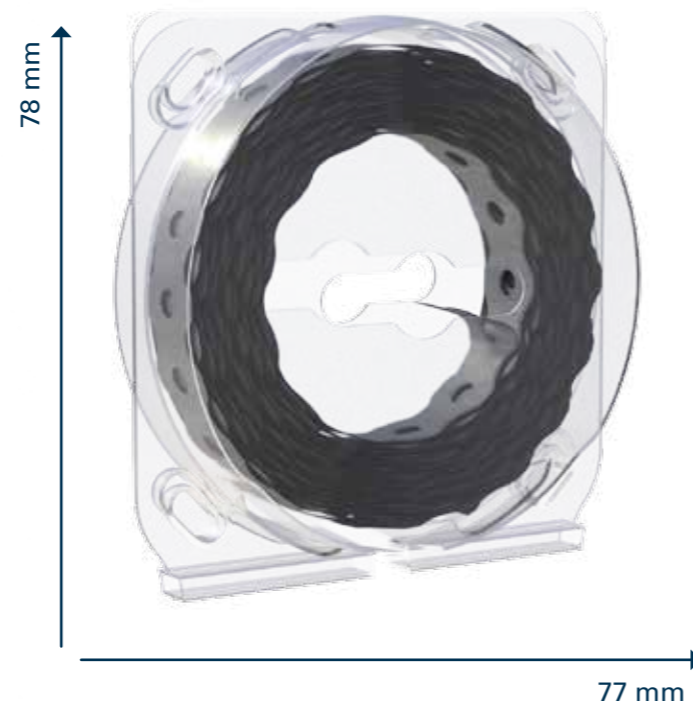


Optimal packaging for store racks and logistics.

Ideal size for toolboxes.

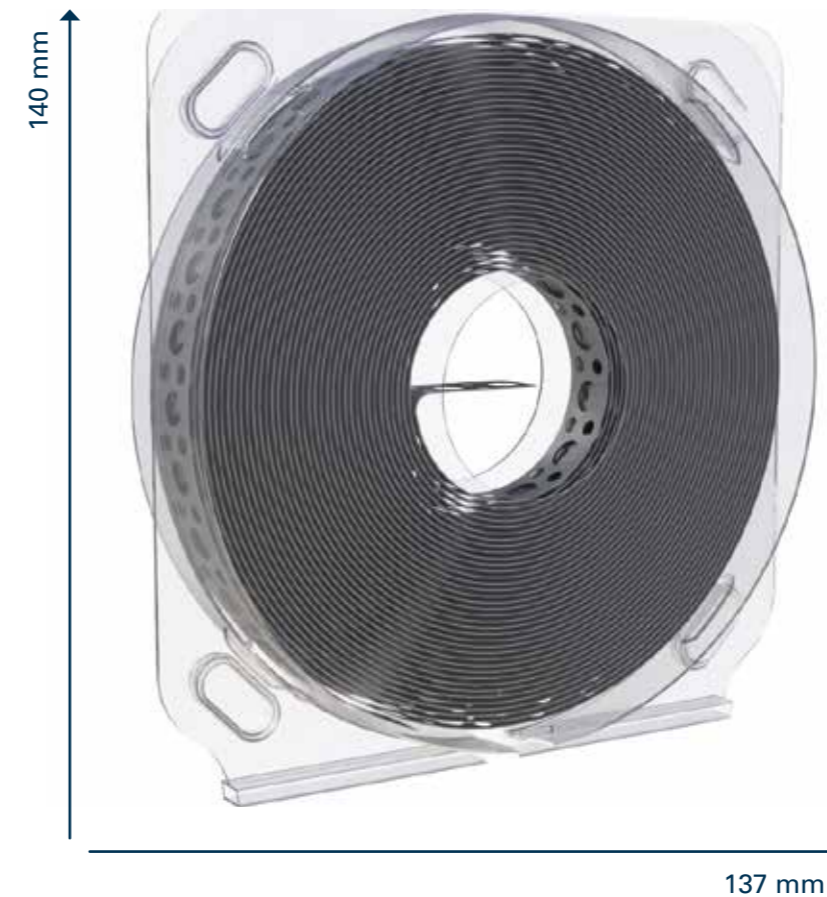
Perfectly suitable for online stores.

CE marking as a symbol of free marketability in the European Economic Area.



POSIROL BRAND ✓
PRIVATE LABEL ✓

Packaging



Especially visible on store racks.

Pleasant to handle.

CE marking as a symbol of free marketability in the European Economic Area.

Product, packaging and composition designed for efficient logistics.



POSIROL BRAND ✓
PRIVATE LABEL ✓

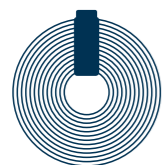
Packaging

Large coil sizes available for professionals.

Standard coils 10 meters, 25 meters, and 30 meters.

Durable and environmentally friendly packaging.

Special-purpose widths, thicknesses, and lengths.



POSIROL BRAND ✓
PRIVATE LABEL ✓

Packaging



Quick to use.

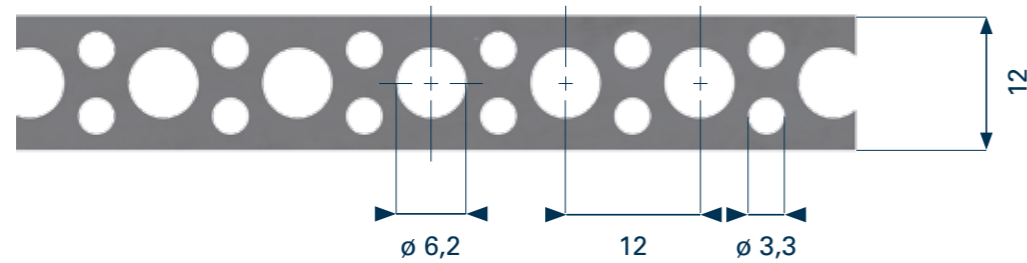
Easy to carry around a construction site.



POSIROL BRAND ✓
PRIVATE LABEL ✓

Products

KV 12



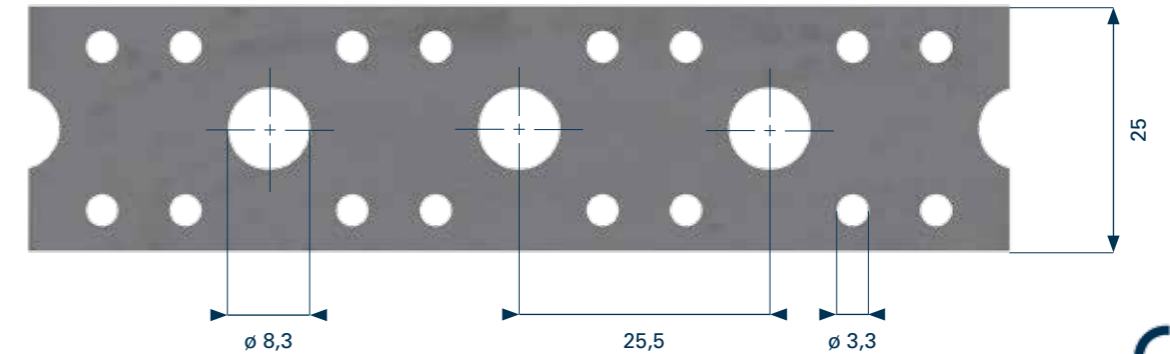
EURONORM: EN 10346

PRODUCT	ID	TYPE	MATERIAL	DIMENSIONS (MM)	ROLL (M)	PACKING TYPE	ROLLS/CARTON	CE
KV 12 x 0,7 x 3 m	75101	KV	Galvanised steel	12 x 0,7	3	Cassette	24	✓
KV 12 x 0,7 x 10 m	75111	KV	Galvanised steel	12 x 0,7	10	Cassette	20	✓
KV 12 x 0,7 x 10 m	65111	KV	Galvanised steel	12 x 0,7	10	Black Case	20	✓
KV 12 x 0,7 x 25 m	75140	KV	Galvanised steel	12 x 0,7	25	Strap	8	✓



Products

KV 25

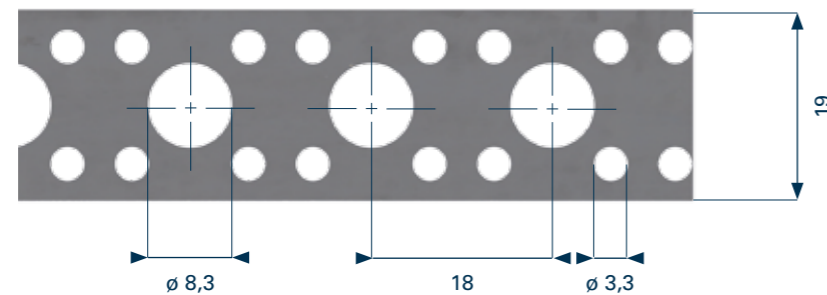


EURONORM: EN 10346

PRODUCT	ID	TYPE	MATERIAL	DIMENSIONS (MM)	ROLL (M)	PACKING TYPE	ROLLS/CARTON	CE
KV 25 x 1,0 x 10 m	76511	KV	Galvanised steel	25 x 1,0	10	Cassette	10	✓
KV 25 x 1,0 x 25 m	76540	KV	Galvanised steel	25 x 1,0	25	Strap	4	✓



KV 19

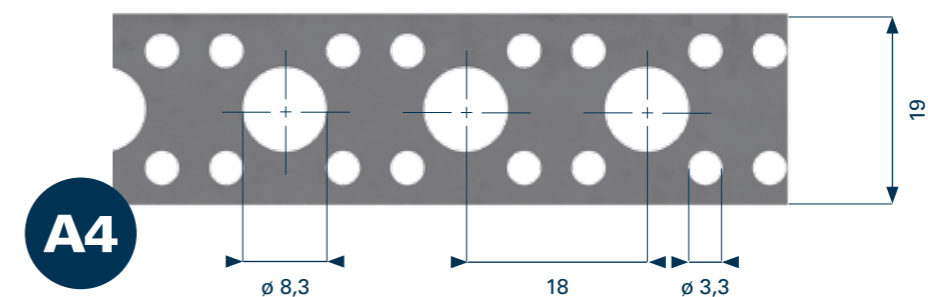


EURONORM: EN 10346

PRODUCT	ID	TYPE	MATERIAL	DIMENSIONS (MM)	ROLL (M)	PACKING TYPE	ROLLS/CARTON	CE
KV 19 x 0,7 x 3 m	75301	KV	Galvanised steel	19 x 0,7	3	Cassette	24	✓
KV 19 x 0,7 x 10 m	75311	KV	Galvanised steel	19 x 0,7	10	Cassette	10	✓
KV 19 x 0,7 x 25 m	75340	KV	Galvanised steel	19 x 0,7	25	Strap	6	✓
KV 19 x 1,0 x 10 m	75511	KV	Galvanised steel	19 x 1,0	10	Cassette	10	✓
KV 19 x 1,0 x 25 m	75540	KV	Galvanised steel	19 x 1,0	25	Strap	4	✓



KVH 19



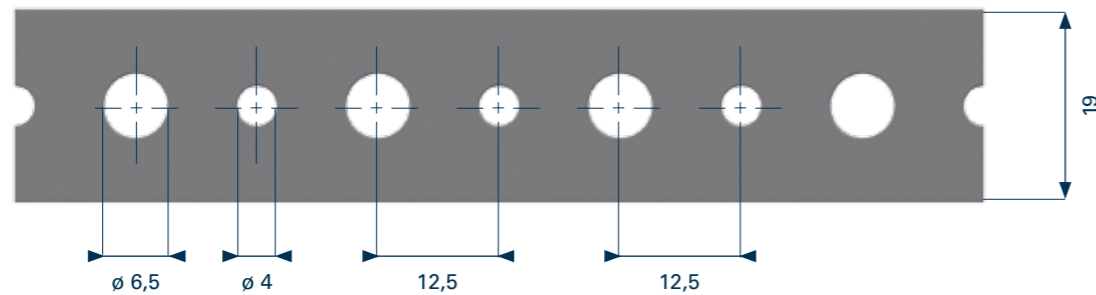
EURONORM: EN 10088-2

PRODUCT	ID	TYPE	MATERIAL	DIMENSIONS (MM)	ROLL (M)	PACKING TYPE	ROLLS/CARTON	CE
KVH 19 x 1,0 x 10 m	75611	KVH	Stainless 1.4404	12 x 0,7	10	Cassette	10	✓



Products

KV IL



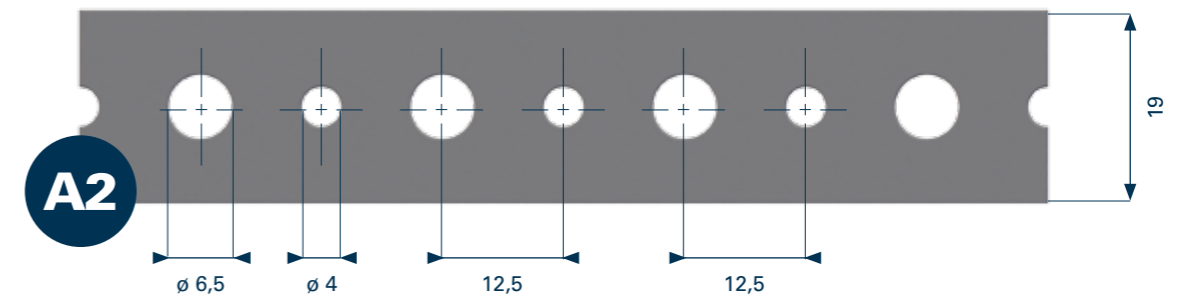
EURONORM: EN 10346

PRODUCT	ID	TYPE	MATERIAL	DIMENSIONS (MM)	ROLL (M)	PACKING TYPE	ROLLS/CARTON	CE
KV IL 19 x 0,7 x 3 m	75801	KV	Galvanised steel	19 x 0,7	3	Cassette	24	✓
KV IL 19 x 0,7 x 10 m	75811	KV	Galvanised steel	19 x 0,7	10	Cassette	10	✓



Products

KVR IL

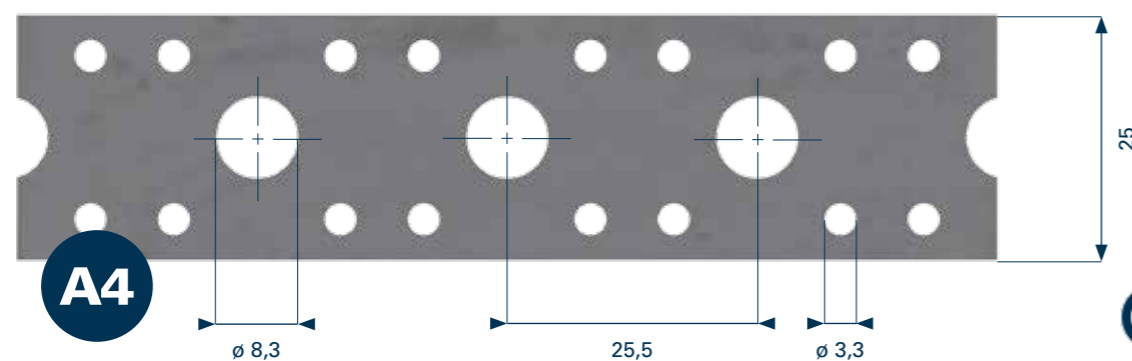


EURONORM: EN 10088-2

PRODUCT	ID	TYPE	MATERIAL	DIMENSIONS (MM)	ROLL (M)	PACKING TYPE	ROLLS/CARTON	CE
KVR IL 19 x 0,7 x 3 m	76001	KVR	Stainless 1.4301	19 x 0,7	3	Cassette	24	✓
KVR IL 19 x 0,7 x 10 m	76011	KVR	Stainless 1.4301	19 x 0,7	10	Cassette	10	✓



KVH

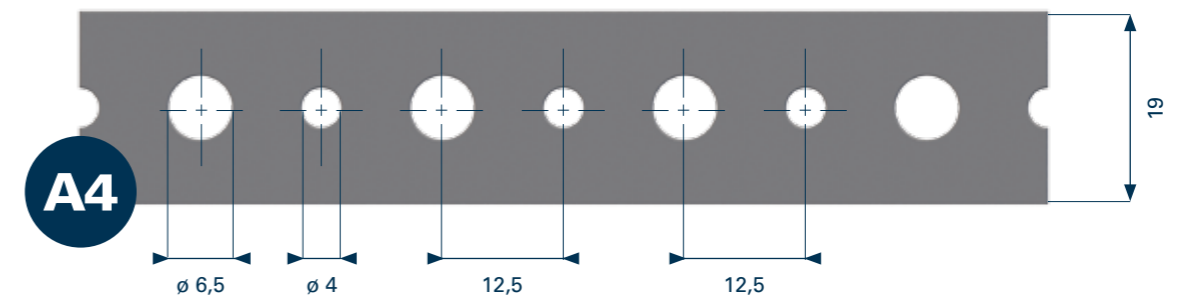


EURONORM: EN 10088-2

PRODUCT	ID	TYPE	MATERIAL	DIMENSIONS (MM)	ROLL (M)	PACKING TYPE	ROLLS/CARTON	CE
KVH 25 x 1,0 x 10 m	76611	KVH	Stainless 1.4404	25 x 1,0	10	Cassette	10	✓



KVH IL



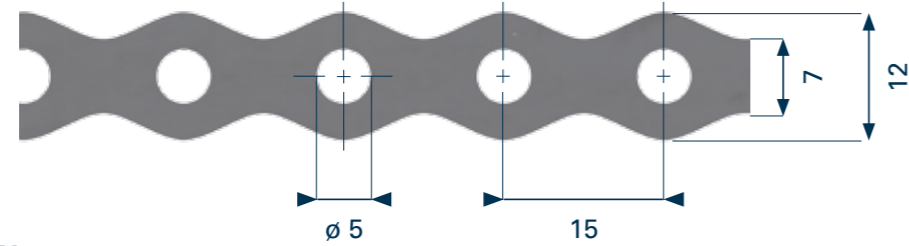
EURONORM: EN 10088-2

PRODUCT	ID	TYPE	MATERIAL	DIMENSIONS (MM)	ROLL (M)	PACKING TYPE	ROLLS/CARTON	CE
KVH IL 19 x 0,7 x 3 m	76051	KVH	Stainless 1.4404	19 x 0,7	3	Cassette	24	✓
KVH IL 19 x 0,7 x 10 m	76061	KVH	Stainless 1.4404	19 x 0,7	10	Cassette	10	✓



Products

PV 12

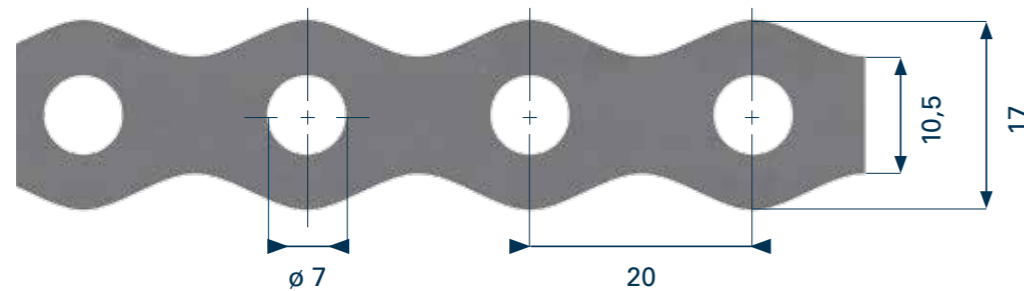


EURONORM: EN 10346

PRODUCT	ID	TYPE	MATERIAL	DIMENSIONS (MM)	ROLL (M)	PACKING TYPE	ROLLS/CARTON	CE
PV 12 x 0,7 x 3 m	77101	PV	Galvanised steel	12 x 0,7	3	Cassette	24	✓
PV 12 x 0,7 x 10 m	77111	PV	Galvanised steel	12 x 0,7	10	Cassette	20	✓
PV 12 x 0,7 x 10 m	67111	PV	Galvanised steel	12 x 0,7	10	Black Case	20	✓
PV 12 x 0,7 x 25 m	77140	PV	Galvanised steel	12 x 0,7	25	Strap	8	✓
PV 12 x 1,0 x 10 m	77211	PV	Galvanised steel	12 x 1,0	10	Cassette	20	✓
PV 12 x 1,0 x 25 m	77240	PV	Galvanised steel	12 x 1,0	25	Strap	8	✓



PV 17



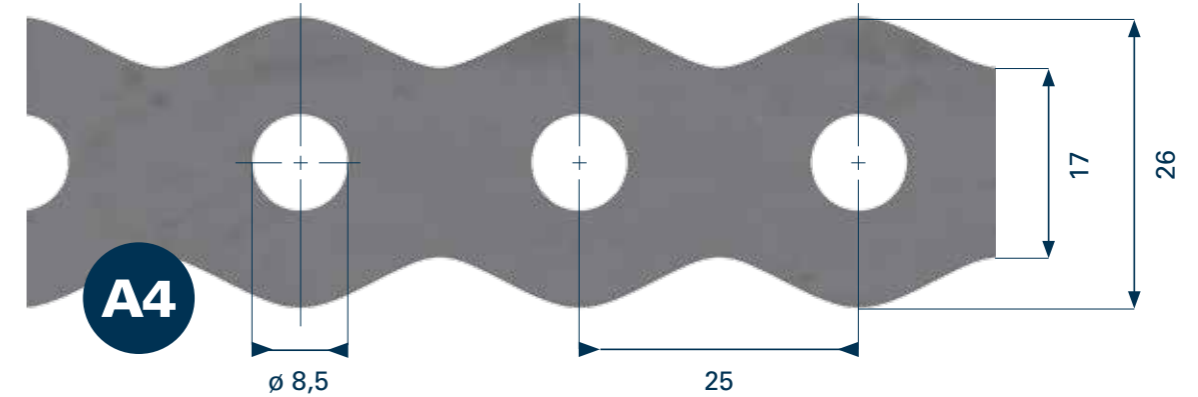
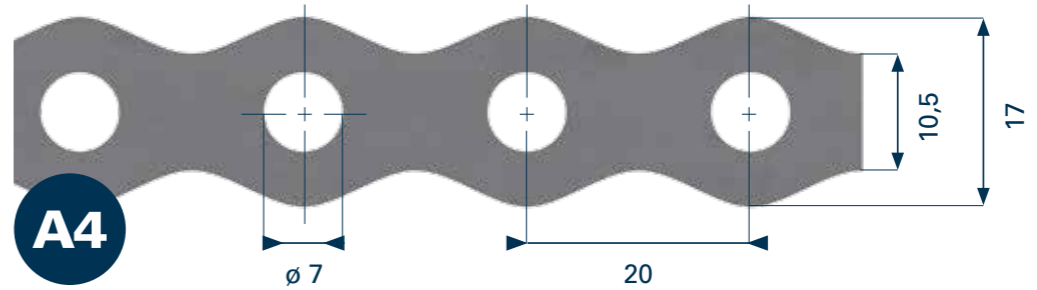
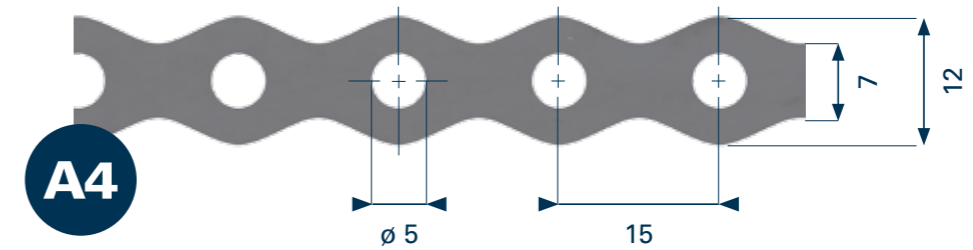
EURONORM: EN 10346

PRODUCT	ID	TYPE	MATERIAL	DIMENSIONS (MM)	ROLL (M)	PACKING TYPE	ROLLS/CARTON	CE
PV 17 x 0,7 x 3 m	77301	PV	Galvanised steel	17 x 0,7	3	Cassette	24	✓
PV 17 x 0,7 x 10 m	77311	PV	Galvanised steel	17 x 0,7	10	Cassette	10	✓
PV 17 x 0,7 x 25 m	77340	PV	Galvanised steel	17 x 0,7	25	Strap	7	✓
PV 17 x 1,0 x 10 m	77511	PV	Galvanised steel	17 x 1,0	10	Cassette	10	✓
PV 17 x 1,0 x 25 m	77540	PV	Galvanised steel	17 x 1,0	25	Strap	7	✓



Products

PVH

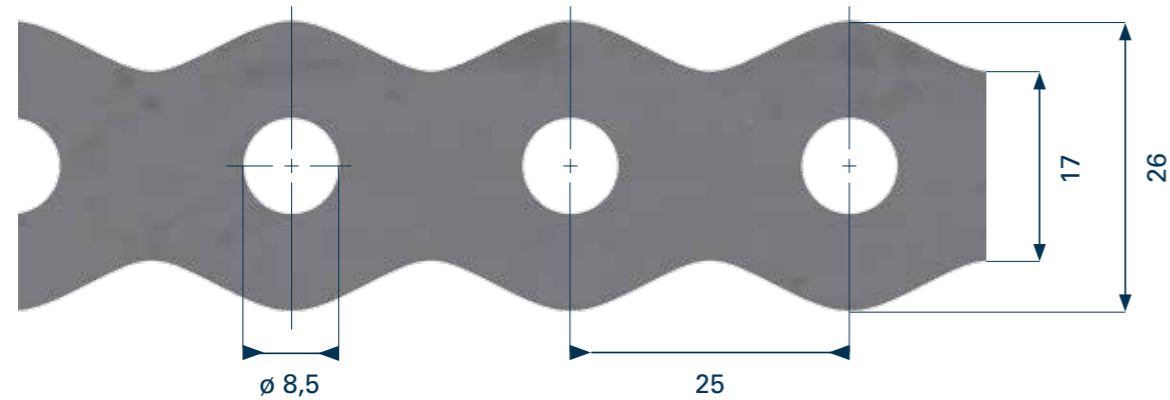


EURONORM: EN 10088-2

PRODUCT	ID	TYPE	MATERIAL	DIMENSIONS (MM)	ROLL (M)	PACKING TYPE	ROLLS/CARTON	CE
PVH 12 x 1,0 x 10 m	77251	PVH	Stainless 1.4404	12 x 1,0	10	Cassette	10	✓
PVH 17 x 1,0 x 10 m	77611	PVH	Stainless 1.4404	17 x 1,0	10	Cassette	10	✓
PVH 26 x 1,0 x 10 m	77811	PVH	Stainless 1.4404	26 x 1,0	10	Cassette	10	✓

Products

PV 26

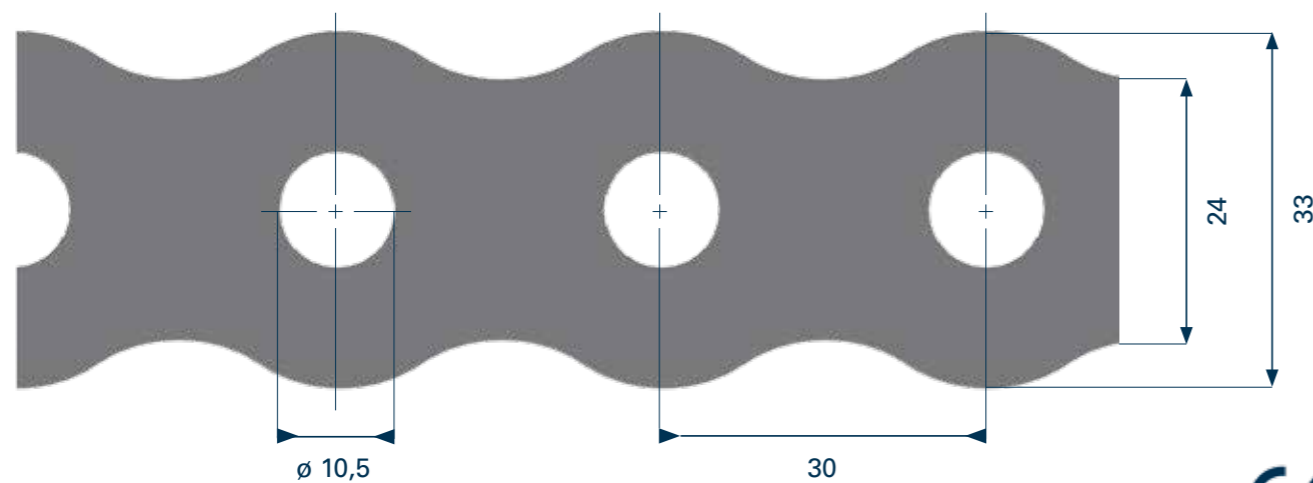


EURONORM: EN 10346

PRODUCT	ID	TYPE	MATERIAL	DIMENSIONS (MM)	ROLL (M)	PACKING TYPE	ROLLS/CARTON	CE
PV 26 x 1,0 x 10 m	77711	PV	Galvanised steel	26 x 1,0	10	Cassette	10	✓
PV 26 x 1,0 x 25 m	77740	PV	Galvanised steel	26 x 1,0	25	Strap	4	✓
PV 26 x 1,25 x 10 m	77911	PV	Galvanised steel	26 x 1,25	10	Strap	4	✓



PV 33



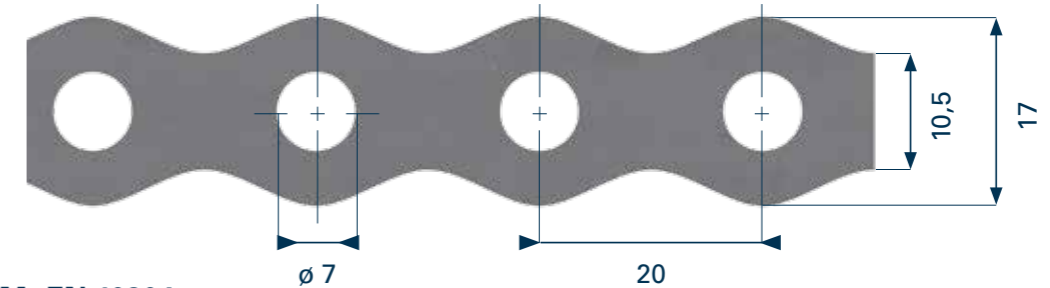
EURONORM: EN 10346

PRODUCT	ID	TYPE	MATERIAL	DIMENSIONS (MM)	ROLL (M)	PACKING TYPE	ROLLS/PACKING	CE
PV 33 x 1,5 x 10 m	78050	PV	Galvanised steel	33 x 1,5	30	Strap	1	✓



Products

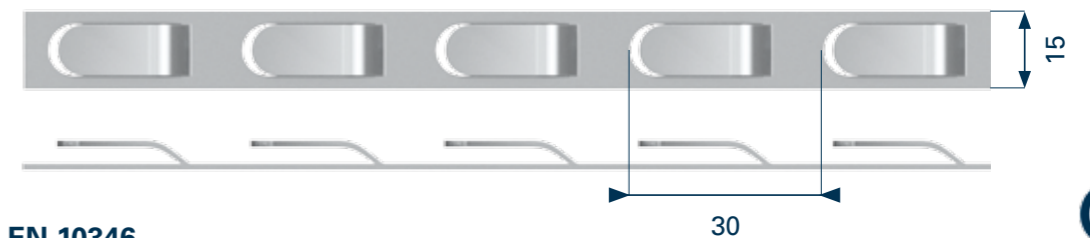
PVAL



EURONORM: EN 10204

PRODUCT	ID	TYPE	MATERIAL	DIMENSIONS (MM)	ROLL (M)	PACKING TYPE	ROLLS/CARTON
PV 17 x 1,0 x 25 m	77570	PV	Aluminium AW-5754	17 x 1,0	10	Strap	7

LV 15

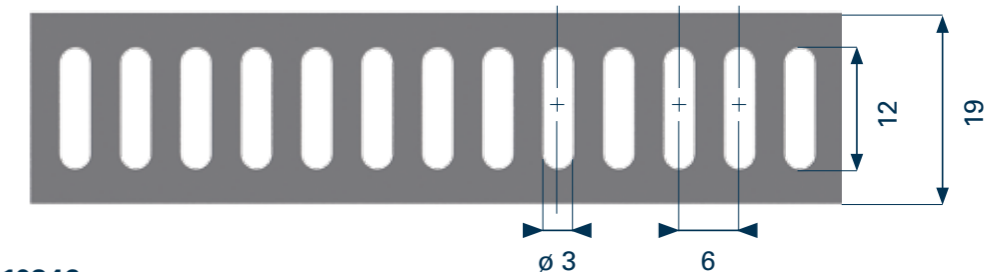


EURONORM: EN 10346

PRODUCT	ID	TYPE	MATERIAL	DIMENSIONS (MM)	ROLL (M)	PACKING TYPE	ROLLS/CARTON	CE
LV 15 x 0,5 x 20 m	78070	LV	Galvanised steel	15 x 0,5	20	Strap	12	✓



TV 19



EURONORM: EN 10346

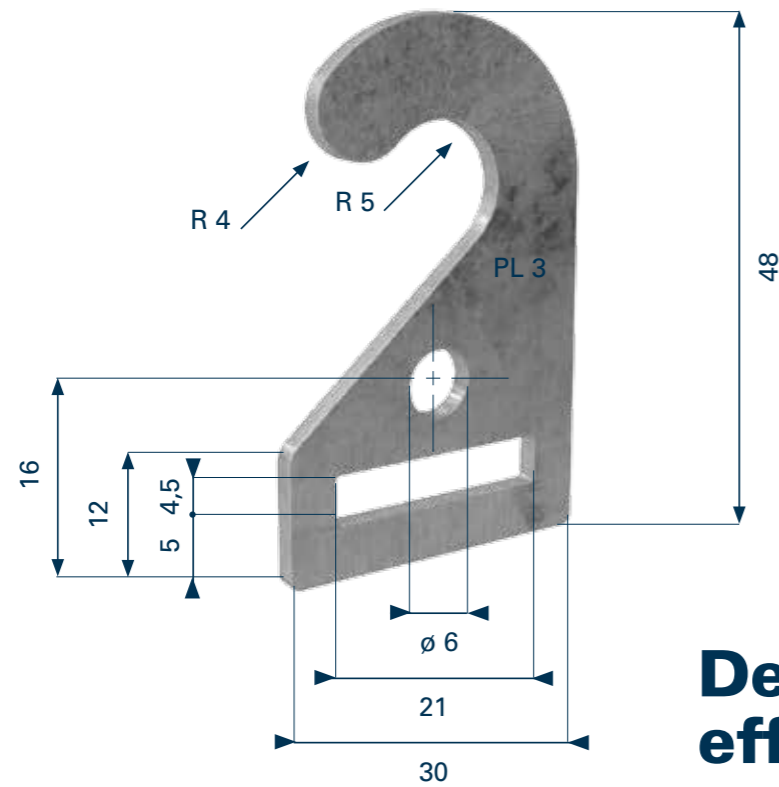
PRODUCT	ID	TYPE	MATERIAL	DIMENSIONS (MM)	ROLL (M)	PACKING TYPE	ROLLS/CARTON	CE
TV 19 x 1,0 x 20 m	78090	TV	Galvanised steel	19 x 1,0	20	Strap	10	✓



Products

TV 19 ACCESSORIES

In addition to perforated bands, we also produce brackets to create the best possible attachment solutions. Brackets can be used to hang and install the TV 19 bands for various applications.

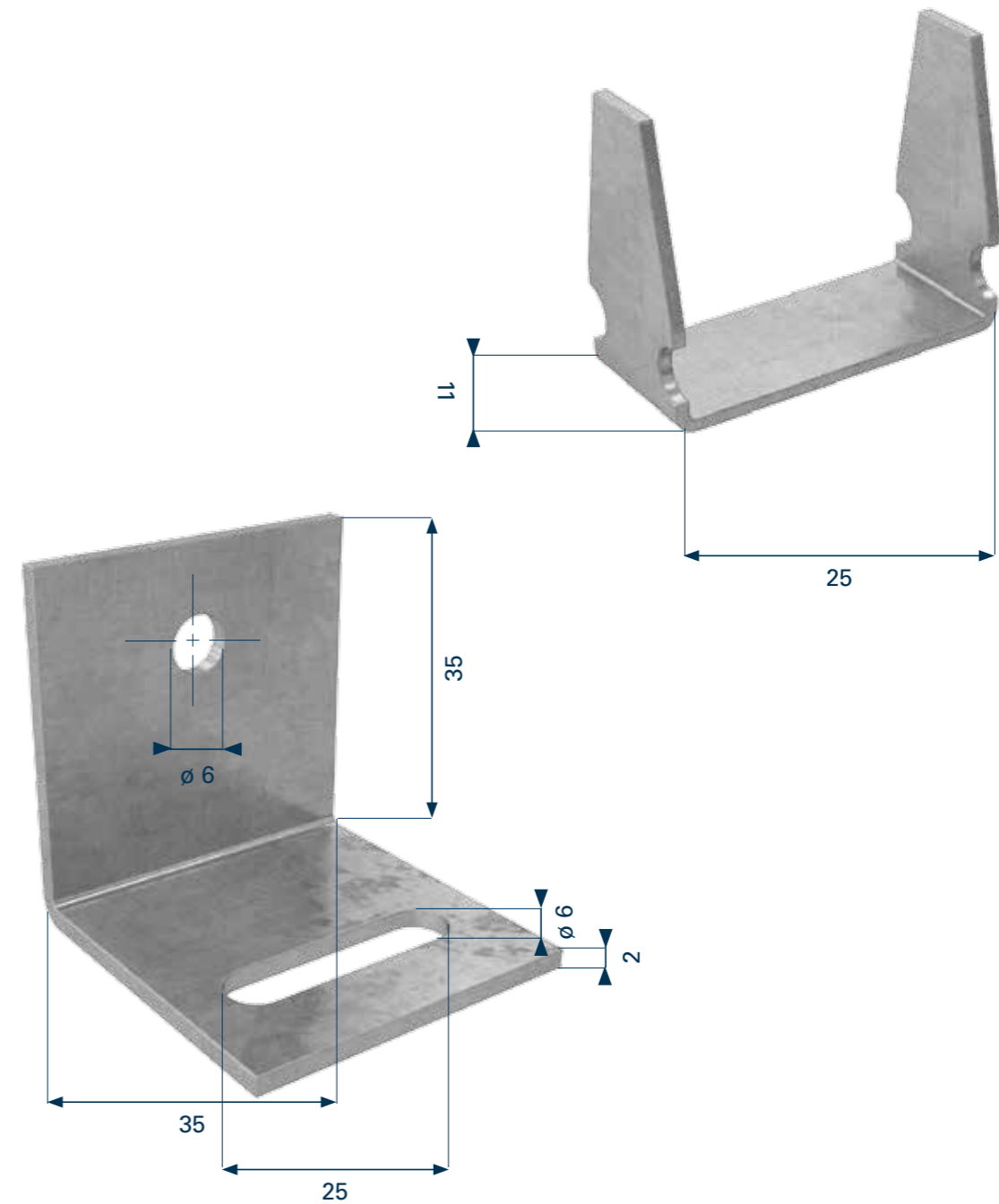


Designed for effortless attachment.

Products

TV 19 ACCESSORIES

The brackets are designed for effortless attachment of the band using a hook or by attaching the installation component directly to concrete, wood, or steel structures.



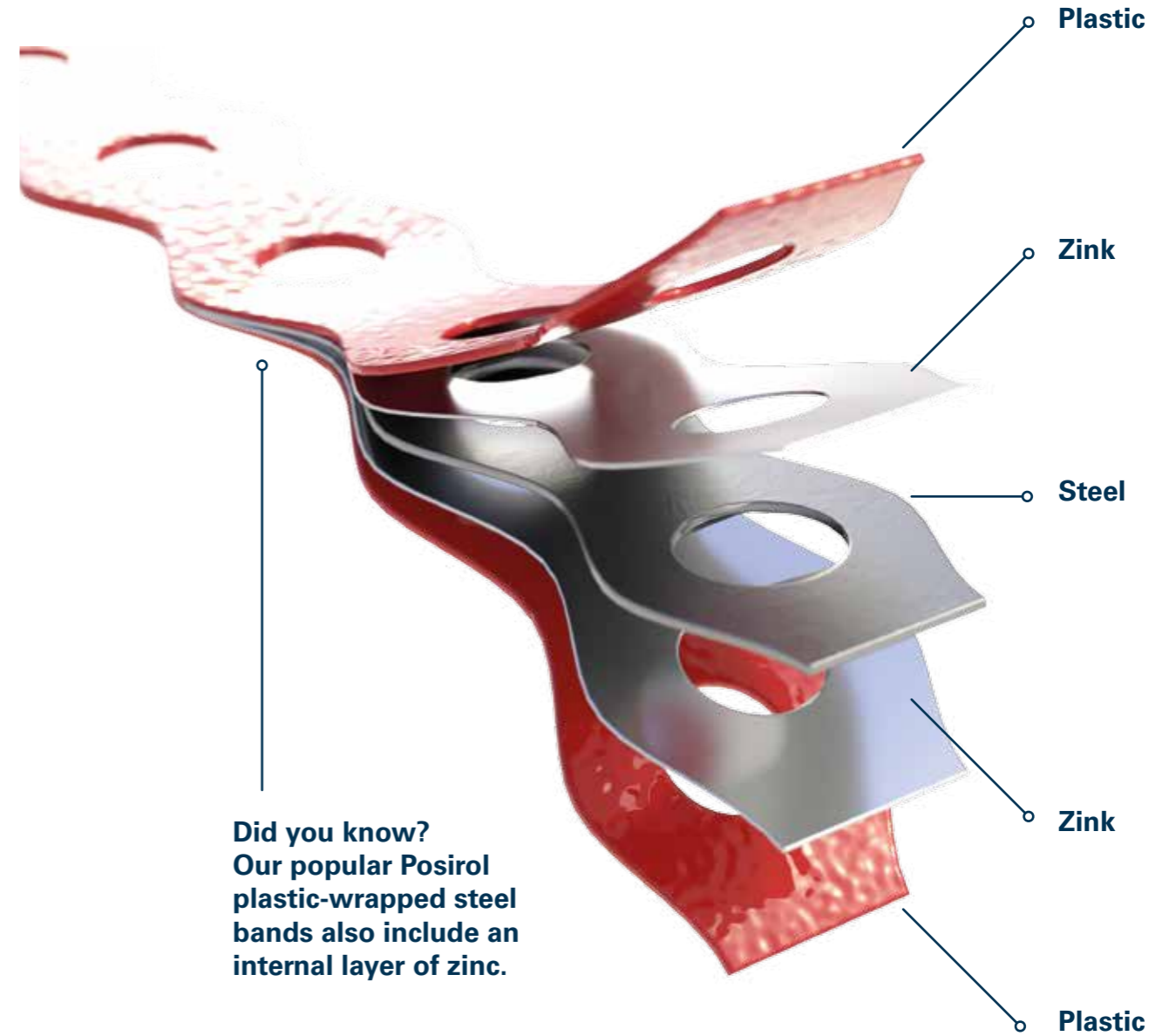
Plastic coated banding

We manufacture bands from zinc coated steel plate and stainless steel, for example. We also provide a wide variety of options regarding materials, measurements, coating, and colors.



Our passion for plastic-wrapped bands ensures the highest quality.

Plastic coated banding



Did you know?
Our popular Posirol plastic-wrapped steel bands also include an internal layer of zinc.

Pleasant to handle.

Plastic coated banding



We can provide you with the exact color you want!

Plastic coated banding

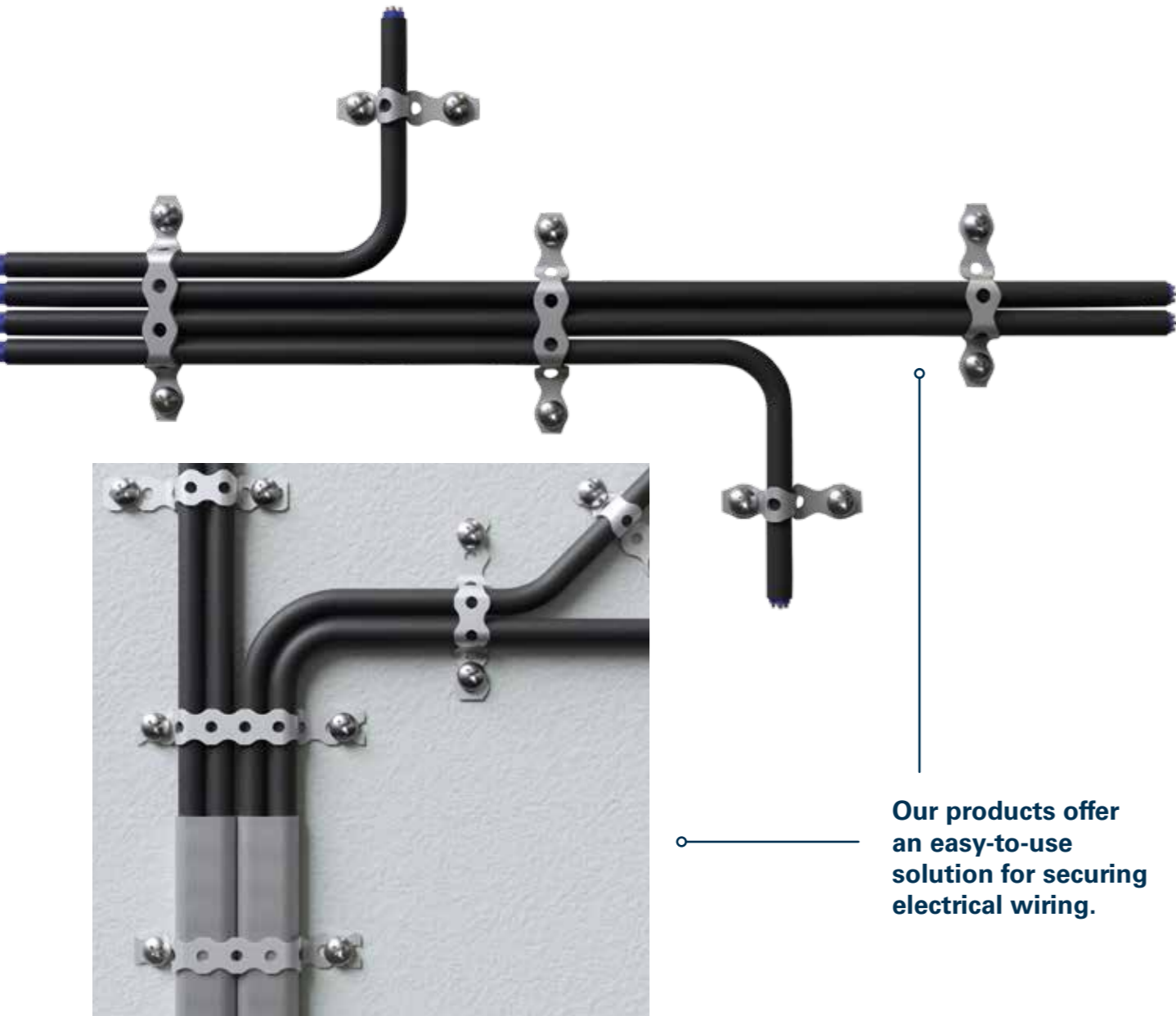
Do you need a steel strap without perforations? We can provide it!



Are you looking for stainless A2 or A4 quality bands? We can do that!

In Use

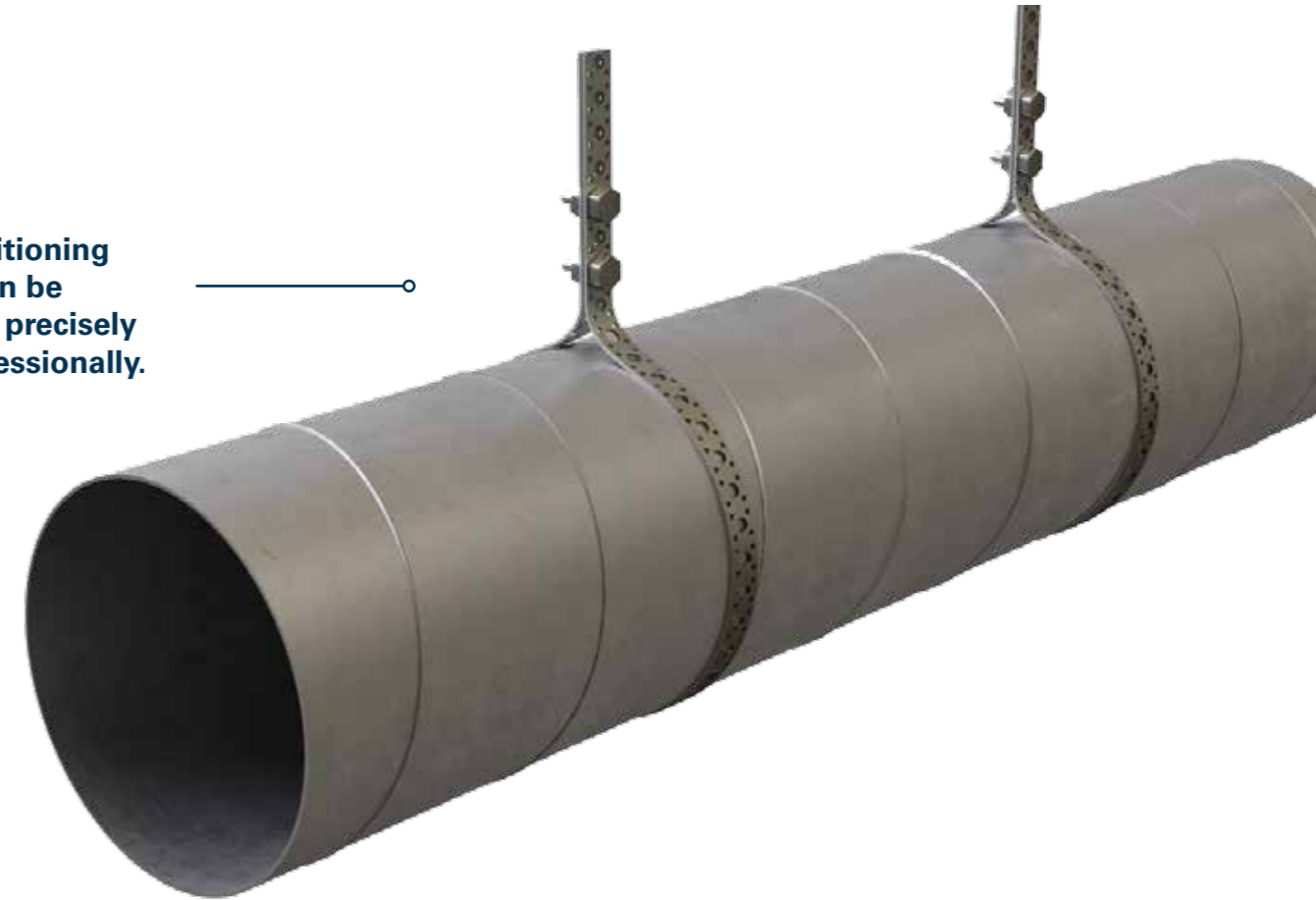
The Posirol perforated bands & steel straps can be used for electric, water, air conditioning, and heating installations. Our products are also used for industrial assembly and various general attachment applications for building and maintenance. Thanks to our versatile packaging options, our products are also popular with DIY customers. If you require perforated bands or steel straps for building, maintenance or industrial applications or general attachment purposes, we can provide the right solution for you.



Our products offer an easy-to-use solution for securing electrical wiring.

In Use

Air conditioning hoses can be installed precisely and professionally.



**Building,
maintenance
or industrial.
We can provide.**

In Use



Perforated bands & steel straps can be used for electric, water, air conditioning, and heating installations.

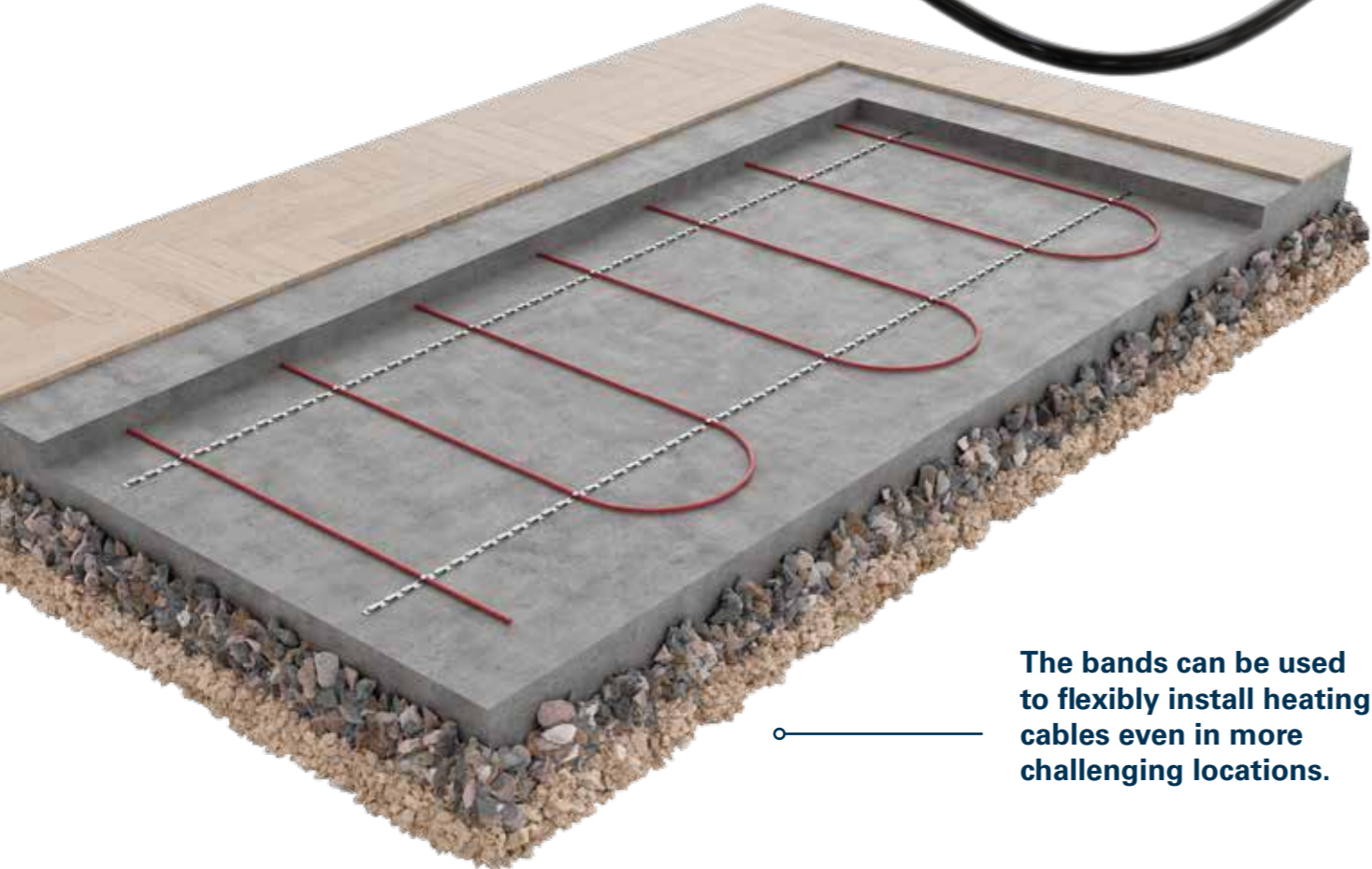
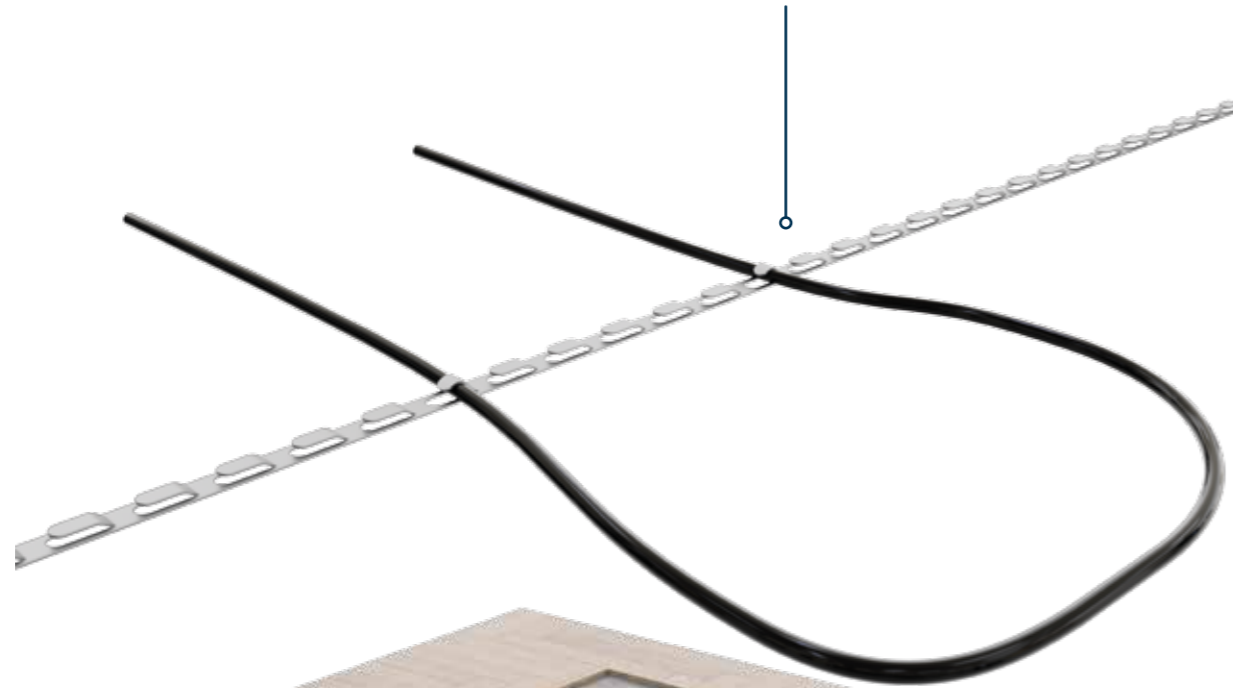
In Use

The perforated bands can also be used in the garden.

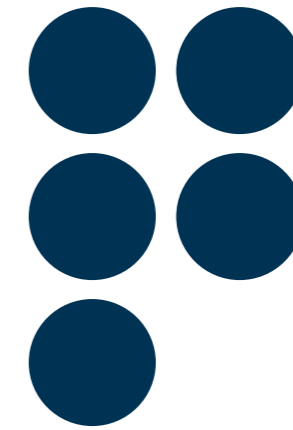


In Use

Heating cables can be installed quickly.



The bands can be used to flexibly install heating cables even in more challenging locations.



Contact Information

POSIROL OY Rauma, Finland

+358 10 505 1230

posirol@posirol.com

www.posirol.com

www.posirol.com